

AXOR Uno

Single lever bath mixer for exposed installation with loop handle

Surfaces: **Chrome** Article Number: **38421000**



Description

product features

- projection 203 mm
- connection type: s-shaped connections
- centre distance: 150 ± 16 mm
- spray type mixer: normal spray
- flow rate at 3 bar: 22 l/min
- ceramic cartridge
- min. operating pressure: 1 bar
- max. operating pressure: 10 bar
- temperature limitation adjustable
- with automatic resetting
- non-return valve
- with silencer
- suitable for continuous flow water heaters
- connection dimension: DN15

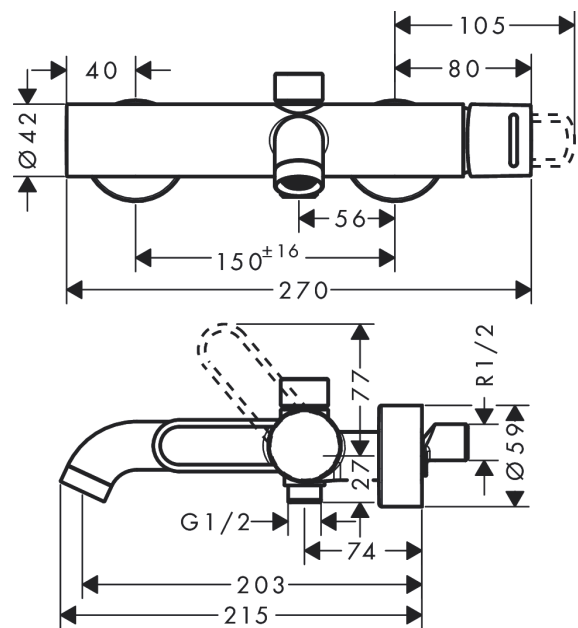
Technology



Product image



Scale drawing



AXOR Uno
Single lever bath mixer for exposed installation with loop handle
 Surfaces: **Chrome** Article Number: **38421000**



Flowchart

